

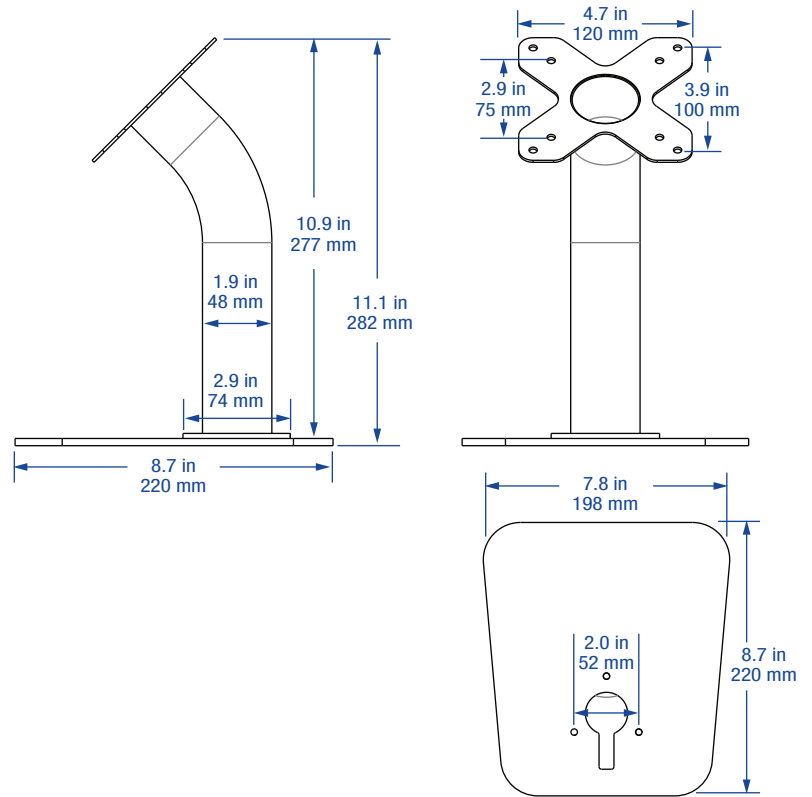
IES 50

Intelligent Entry Scanner

Optional Stands

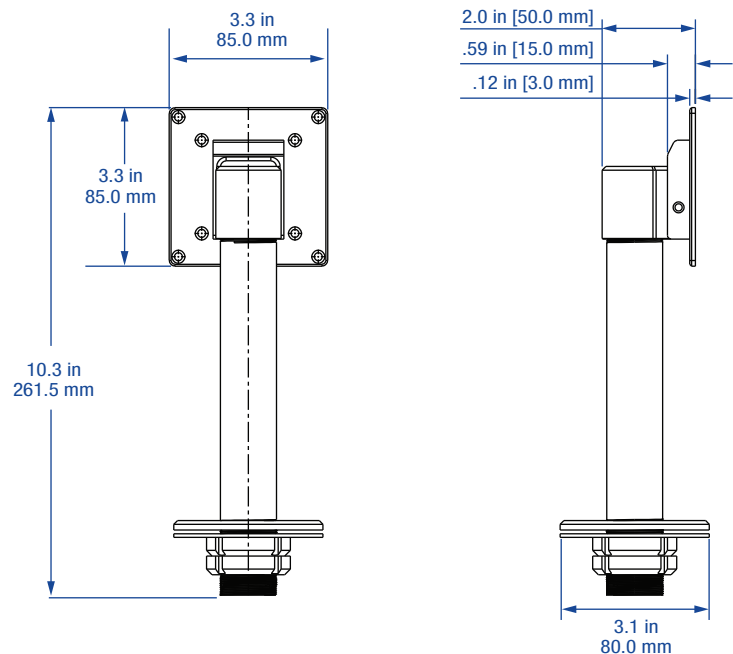
Desktop Stand

The Tidel IES 50 desktop stand features a classic curved neck with VESA plate, with provisions to route the cable through the stand fixture.



Turnstile Stand

The Tidel IES 50 turnstile stand offers a quick and easy method to attach the IES 50 to the top of a turnstile, for environments such as office parks and theme parks.



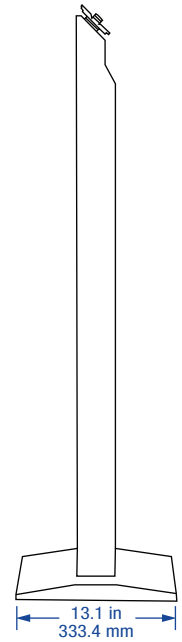
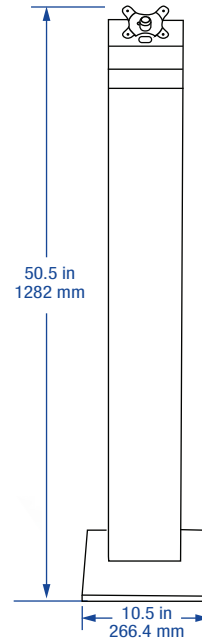
IES 50

Intelligent Entry Scanner

Optional Stands

Kiosk Stand

The Tidel IES 50 Kiosk Stand offers a stylistic design constructed of metal for added durability. The kiosk stand also provides a lockable back panel that can serve as a repository for a power strip, while offering a seamless method for cable routing.



Adjustable Height Floor Stand

The Tidel IES 50 adjustable height floor stand features a height adjustable telescopic pole comprised of an anodized aluminum tube complemented by a sturdy weighted black metal base, creating a modern, stylistic appearance.

